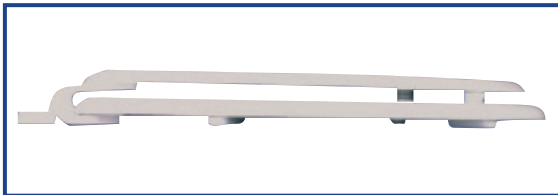


## RESIDENTIAL MOLDED WOOD

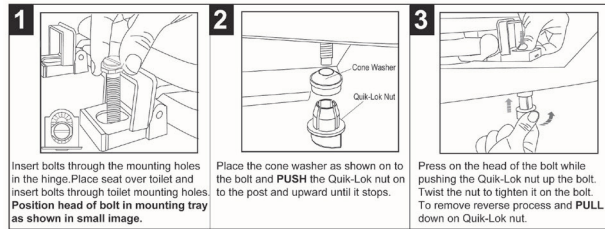
### Seat shall be PLUMBTECH™ MODEL - 101QL

- Standard quality durable molded wood
- Round closed front with cover
- Multi-coats of high gloss enamel paint with sealer and primer
- UV paint color protection
- Color coordinated hinge and bumpers
- Assembled with corrosion resistant stainless steel screws
- Corrosion proof nuts and bolts
- Specify white -00
- Quik-Lok installation technology
- No tools required installation
- Vari-Adjust Lok-Down hinge includes pre-assembled non-skid rubberized pad

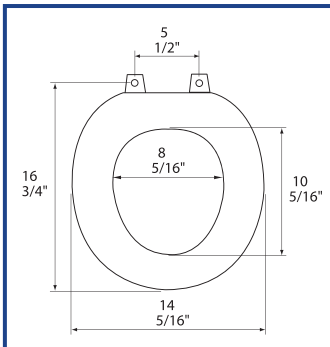


Factory-installed "living" hinge covers with stainless steel screws

#### Quik-Lok™ Installation Instruction



## PRODUCT SPECIFICATIONS



### Residential

Model 101QL - For ANSI Standard Round Front Toilets

Style: Closed Front with Cover

Material: Molded Wood (wood flour and resin)

Hinge: Plastic Hinge assembled with Stainless Steel Screws

Height of seat: 2"

Ring Thickness: 5/8"

Ring Thickness with Bumpers: 1"

PLUMBTECH™ molded wood seats utilize the finest paint to seal and beautify the molded wood core with deep lustrous color and rock hard enamel durability.